

SUPPLEMENTAL / BID BULLETIN NO. 2

Title : Supply, Delivery, Installation, Configuration and Testing of 20KVA Rack Mounted UPS

ITB No. : GOP/17-DSWD-021

Date : 09 November 2017

This Supplemental/Bid Bulletin is issued to all interested prospective bidders announcing amendment/changes in the bidding documents as agreed during the Pre-Bid Conference, to wit:

I. Section VII. Technical Specifications

| PARTICULARS | FROM | TO |
|-------------|--|--|
| Warranty | Three (3) years warranty | At least three (3) years warranty on parts and labor |
| Others | Inclusive of electrical wiring and other consumables | Inclusive of electrical wiring and other consumables. Same as the existing electrical or possible replacement electrical wiring. Bidders must conduct ocular site inspection prior to submission of bid. See Annex A: Single Line Diagram of Mobile Data Center for details. |

II. Deadline for the Submission and Receipt of Bids

The deadline for the submission and receipt of bids is on **16 November 2017, 1:00 p.m.** Bids must be delivered to the BAC Secretariat Office, Ground Floor, DSWD Central Office. **Late Bids will not be accepted.**

The Bid Opening will immediately follow after the deadline, to be held at the **Katapatan Conference Room, 4th Floor, Magiliw Building, DSWD Central Office, IBP Road, Constitution Hills, Quezon City.**

III. Issuance of Bidding Documents

The issuance of bidding documents is until **16 November 2017.**

This Supplemental/Bid Bulletin shall form part of the bidding documents.

Please be guided accordingly.


FLORITA R. VILLAR

Undersecretary, Policy and Programs Group and
Chairperson, Bids and Awards Committee-I



Please accomplish this portion and send it to facsimile no. (02) 951-7116 or e-mail bacsec@dswd.gov.ph

Received from DSWD, Supplemental/Bid Bulletin No. 2 for the **Supply, Delivery, Installation, Configuration and Testing of 20KVA Rack Mounted UPS** (ITB No. GOP/17-DSWD-021).

Received by : _____ Date : _____
(Signature over Printed Name)
Designation : _____
Company : _____



INFORMATION MANAGEMENT BUREAU

DSWD-Central Office
PROCUREMENT SERVICE

NOV 09 2017

MEMORANDUM

TO : CARLO FLORENDO C. CASTRO
Director IV and Chairperson
Bids and Awards Committee - I

FROM : Assistant Secretary for PPG & OIC - IMB

DATE : November 3, 2017

SUBJECT : Pre-Bid 20KVA UPS (2 unit) Comment

Procurement Planning and Management Division
Received by: 
Time: 10:46 AM Control No.: _____

Relative to the Pre-Bid Conference for the “**Supply, Delivery, Installation, Configuration and Testing of 20KVA Rack Mounted UPS**”. Below are the following comments on the discussion prior to follow on the early documents submitted to PSD.

- 1) Delivery Period – Will go on 30 calendar days or requirement is ASAP less than 30 calendar days. Operation is hindered if not delivered.
- 2) Size (Width, Height and Depth) – Indicated dimension on UPS with battery bank same (not changing dimension). This is an existing setup and what we need is replacement. We need to follow existing setup.
- 3) Electrical wiring and other consumables – Same in existing installed electrical or possible replacement electrical wiring.
- 4) Voltage requirement – Same in existing UPS Input / Output voltage.
- 5) Warranty – 2 unit UPS (20 KVA per unit) at least 3 years warranty on parts and labor.

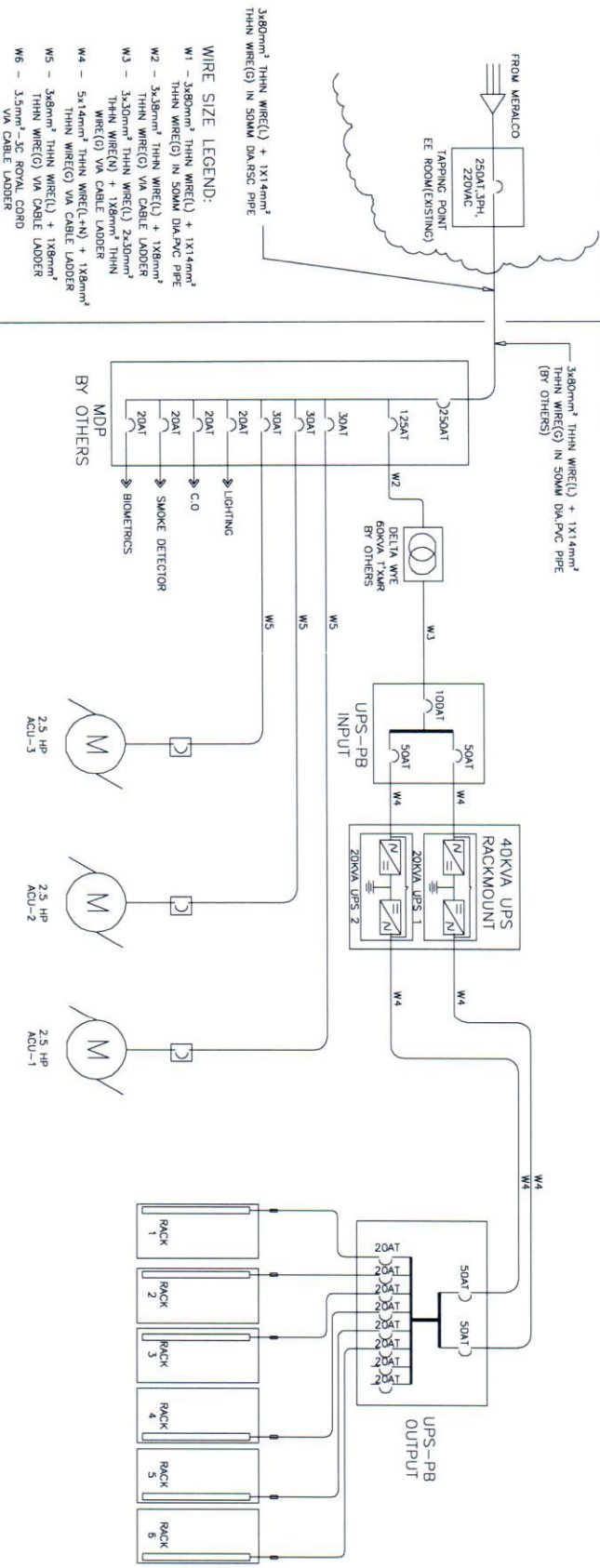
In view of the foregoing, we would like to request for a replacement from the supplier that is compatible and matched into existing defective units.

See refer attached existing electrical with UPS.

For your appropriate action.

NOEL M. MACALALAD

MOBILE DATA CENTER



WAITING FOR FINALIZATION

MDT/AGD SCOPE OF WORKS

1 SINGLE LINE DIAGRAM
E1 SCALE : NTS

AS BUILT PLAN



AG DATA COM
PHILS, INC.
REGISTERED ELECTRICAL ENGINEERS
REGISTERED PROFESSIONAL ENGINEERS
REGISTERED PROFESSIONAL ARCHITECTS
REGISTERED PROFESSIONAL MECHANICAL ENGINEERS
REGISTERED PROFESSIONAL CIVIL ENGINEERS
REGISTERED PROFESSIONAL CHEMICAL ENGINEERS
REGISTERED PROFESSIONAL INDUSTRIAL ENGINEERS
REGISTERED PROFESSIONAL AERONAUTICAL ENGINEERS
REGISTERED PROFESSIONAL METALLURGICAL ENGINEERS
REGISTERED PROFESSIONAL AGRICULTURAL ENGINEERS
REGISTERED PROFESSIONAL FORESTRY ENGINEERS
REGISTERED PROFESSIONAL MINING ENGINEERS
REGISTERED PROFESSIONAL PETROLEUM ENGINEERS
REGISTERED PROFESSIONAL SURVEYING ENGINEERS
REGISTERED PROFESSIONAL TRANSPORTATION ENGINEERS
REGISTERED PROFESSIONAL WATERSUPPLY ENGINEERS
REGISTERED PROFESSIONAL WASTE ENGINEERS
REGISTERED PROFESSIONAL ZONING ENGINEERS

PABLO FERRER
PROFESSIONAL ELECTRICAL ENGINEER
LIC. NO.: 0000787
TR. NO.: 100-364-838
FIN. NO.: 80234024
SEALED AT: PANAMAQUE CITY

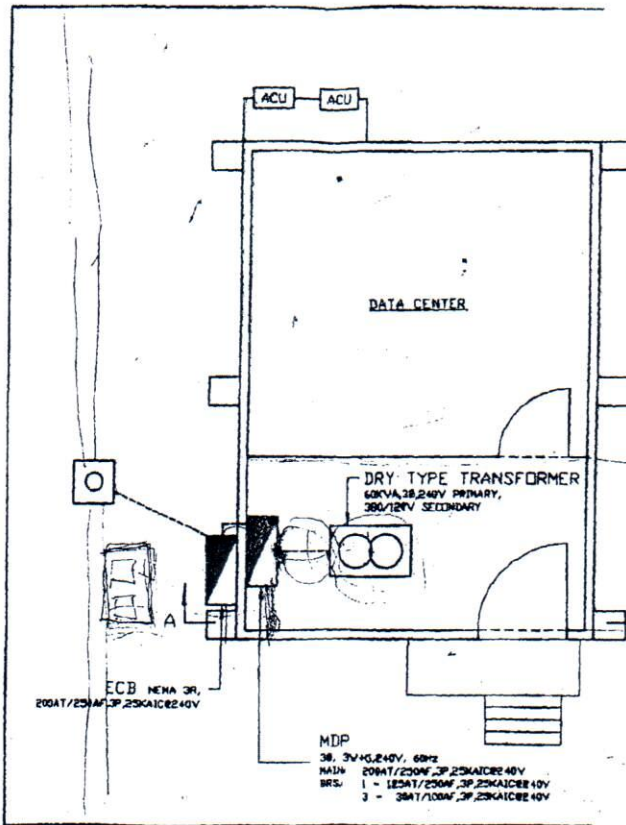
Department of Social Welfare & Development
HUMAN DEVELOPMENT ADMIN. DIV.

DSWD (MOBILE DATA CENTER BUILT-OUT)

SINGLE LINE DIAGRAM

APPROVED BY:
MA. CHERYL O. DAVID-CASIS
ASSISTANT SECRETARY, DSWD

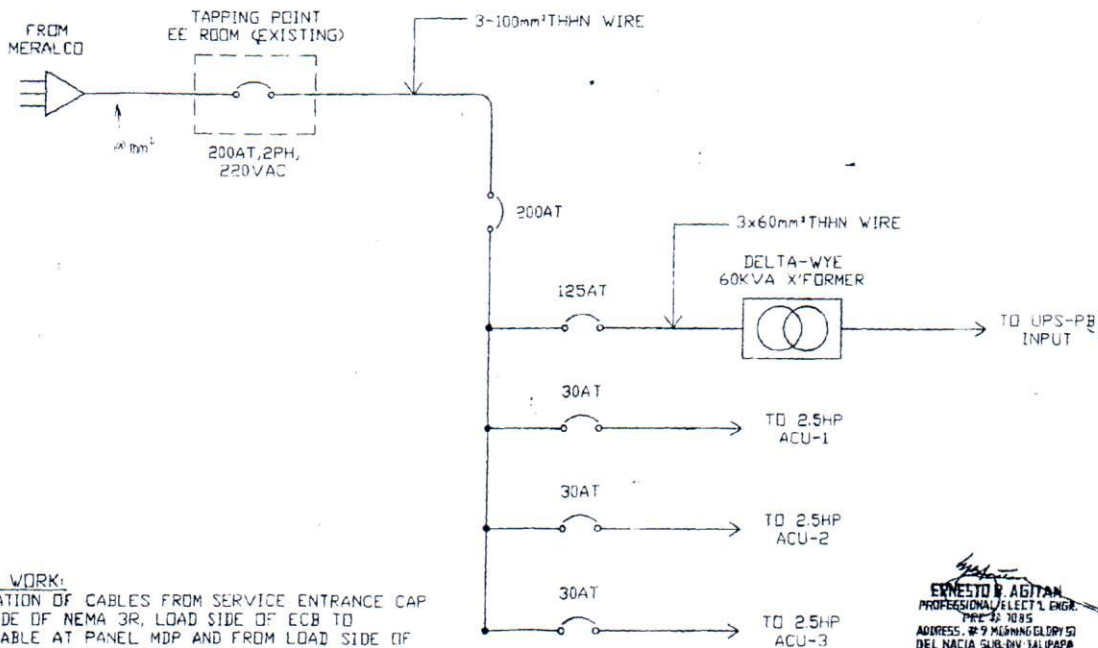
SHEET NO.: **E**
01 C



TOP VIEW
SCALE: NTS

ERNESTO B. AGUIRRE
PROFESIONAL ELECT. ENGR.
P.R.C. # 7085
ADDRESS: # 9 MISION GLODYS
DEL NACIA SUB-DIV. TALIPAPA
NOVALICHES, D.C.
PTR # 0317534
DATE 1-03-2012

SINGLE LINE DIAGRAM



WORK:
LOCATION OF CABLES FROM SERVICE ENTRANCE CAP
SIDE OF NEMA 3R, LOAD SIDE OF ECB TO
CABLE AT PANEL MDP AND FROM LOAD SIDE OF
INCH C.B. TO PRIMARY OF 60KVA DRY TYPE

ERNESTO B. AGUIRRE
PROFESIONAL ELECT. ENGR.
P.R.C. # 7085
ADDRESS: # 9 MISION GLODYS
DEL NACIA SUB-DIV. TALIPAPA
NOVALICHES, D.C.